

EDS-205 Series

5-port entry-level unmanaged Ethernet switches



Features and Benefits

- 10/100BaseT(X) (RJ45 connector)
- IEEE802.3/802.3u/802.3x support
- Broadcast storm protection
- DIN-rail mounting ability
- -10 to 60°C operating temperature range

Certifications



Introduction

The EDS-205 Series supports IEEE 802.3/802.3u/802.3x with 10/100M, full/half-duplex, MDI/MDIX auto-sensing RJ45 ports. The EDS-205 Series is rated to operate at temperatures ranging from -10 to 60°C, and is rugged enough for any harsh industrial environment. The switches can be easily installed on a DIN rail as well as in distribution boxes. The DIN-rail mounting capability, wide operating temperature, and the IP30 housing with LED indicators make the plug-and-play EDS-205 switches reliable and easy to use.

Specifications

Ethernet Interface

Standards	IEEE 802.3 for 10BaseT IEEE 802.3u for 100BaseT(X) and 100BaseFX IEEE 802.3x for flow control
-----------	---

Switch Properties

Processing Type	Store and Forward
MAC Table Size	1 K
Packet Buffer Size	512 kbits

Ethernet Interface

10/100BaseT(X) Ports (RJ45 connector)	Auto MDI/MDI-X connection Full/Half duplex mode Auto MDI/MDI-X connection
---------------------------------------	---

Power Parameters

Input Voltage	24 VDC
Input Current	0.11 A @ 24 VDC
Operating Voltage	12 to 48 VDC
Connection	1 removable 3-contact terminal block(s)
Overload Current Protection	1.1 A @ 24 VDC
Reverse Polarity Protection	Supported

Physical Characteristics

Housing	Plastic
IP Rating	IP30
Dimensions	24.9 x 100 x 86.5 mm (0.98 x 3.94 x 3.41 in)
Weight	135 g (0.30 lb)
Installation	DIN-rail mounting

Environmental Limits

Operating Temperature	-10 to 60°C (14 to 140°F)
Storage Temperature (package included)	-40 to 85°C (-40 to 185°F)
Ambient Relative Humidity	5 to 95% (non-condensing)

Standards and Certifications

Safety	EN 60950-1, UL 508
EMC	EN 55032/24
EMI	CISPR 32, FCC Part 15B Class A
EMS	IEC 61000-4-2 ESD: Contact: 4 kV; Air: 8 kV IEC 61000-4-3 RS: 80 MHz to 1 GHz: 10 V/m IEC 61000-4-4 EFT: Power: 2 kV; Signal: 1 kV IEC 61000-4-5 Surge: Power: 2 kV; Signal: 1 kV IEC 61000-4-6 CS: 3 V IEC 61000-4-8 PFMF
Shock	IEC 60068-2-27
Freefall	IEC 60068-2-32
Vibration	IEC 60068-2-6

MTBF

Time	3,915,945 hrs
Standards	Telcordia (Bellcore), GB

Warranty

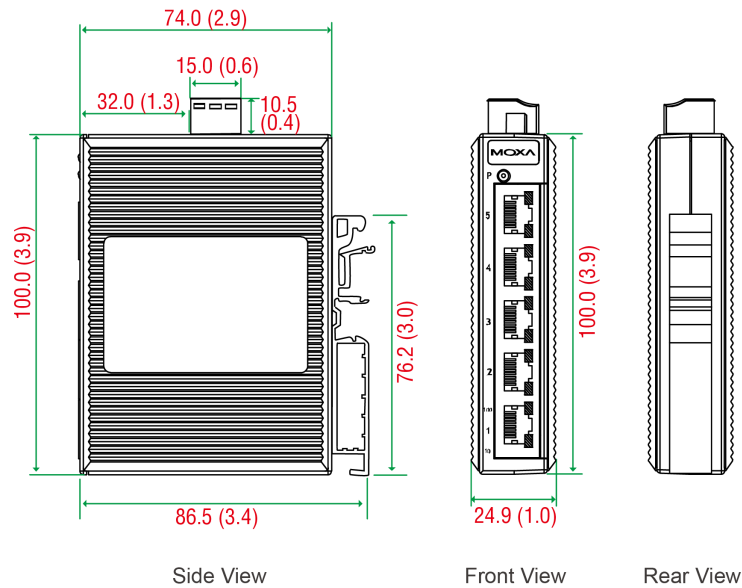
Warranty Period	5 years
Details	See www.moxa.com/warranty

Package Contents

Device	1 x EDS-205 Series switch
Documentation	1 x quick installation guide 1 x warranty card

Dimensions

Unit: mm (inch)



Ordering Information

Model Name	10/100BaseT(X) Ports RJ45 Connector	Housing Material	Operating Voltage	Operating Temp.
EDS-205	5	Plastic	12-48 VDC	-10 to 60°C

Accessories (sold separately)

Power Supplies

DR-120-24	120W/2.5A DIN-rail 24 VDC power supply with universal 88 to 132 VAC or 176 to 264 VAC input by switch, or 248 to 370 VDC input, -10 to 60°C operating temperature
DR-4524	45W/2A DIN-rail 24 VDC power supply with universal 85 to 264 VAC or 120 to 370 VDC input, -10 to 50°C operating temperature
DR-75-24	75W/3.2A DIN-rail 24 VDC power supply with universal 85 to 264 VAC or 120 to 370 VDC input, -10 to 60°C operating temperature
MDR-40-24	DIN-rail 24 VDC power supply with 40W/1.7A, 85 to 264 VAC, or 120 to 370 VDC input, -20 to 70°C operating temperature
MDR-60-24	DIN-rail 24 VDC power supply with 60W/2.5A, 85 to 264 VAC, or 120 to 370 VDC input, -20 to 70°C operating temperature

Rack-Mounting Kits

RK-4U	19-inch rack-mounting kit
-------	---------------------------

© Moxa Inc. All rights reserved. Updated Nov 12, 2018.

This document and any portion thereof may not be reproduced or used in any manner whatsoever without the express written permission of Moxa Inc. Product specifications subject to change without notice. Visit our website for the most up-to-date product information.