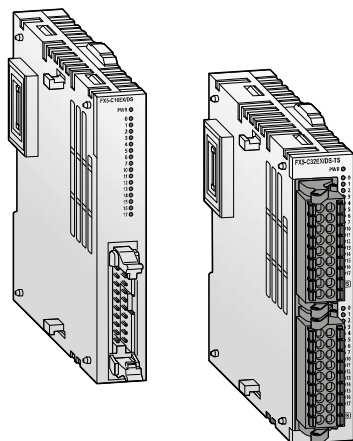


Unpowered extension modules

FX3S FX3G FX3GC FX3GE FX3U FX3UC FX5U FX5UC



Input/output modules FX5 (connector type)

The connector type FX5 series I/O modules can be directly connected to an FX5UC CPU module. For the connection to an FX5U CPU module a connector conversion module FX5-CNV-IF is required. Modules are available with 16 or 32 inputs/output points.

- Very compact dimensions
- LEDs for indicating the input and output status
- MELSEC FX5U and FX5UC series compatible
- Photocoupler isolation for input terminals and transistor outputs
- Terminal modules for the conversion of connector-type I/O terminals into terminal blocks are available
- Spring clamp type I/O available

Specifications	Input/output modules		Input modules			Output modules				
	FX5-C32ET/DSS	FX5-C32ET/DSS-TS*	FX5-C16EX/DS	FX5-C32EX/DS	FX5-C32EX/DS-TS*	FX5-C16EYR/D-TS*	FX5-C16EYT/DSS	FX5-C32EYT/DSS	FX5-C32EYT/DSS-TS*	
Electrical data										
Integrated inputs/outputs	32		16	32		16		32		
Power supply	5 V DC	Supplied internally		Supplied internally			Supplied internally			
	24 V DC	Input connector: Supplied from service power supply or external power supply Output connector: Supplied internally		Supplied from service power supply or external power supply			Supplied internally			
Current consumption	5 V DC	mA	120		100		120	100	120	
	24 V DC	mA	Input connector: 65 Output connector: 100 ^①	65	130		100		200	
Inputs										
Integrated inputs	16		16	32						
Input type	Sink/source		Sink/source							
Input signal voltage	24 V DC +20 %, -15 %		24 V DC +20 %, -15 %							
Min. current for logical 1	mA	3.0	3.0							
Max. current for logical 0	mA	1.5	1.5							
Response time	ON: ≤50 μs; OFF: ≤150 μs		ON: ≤50 μs; OFF: ≤150 μs							
Outputs										
Integrated outputs	16					16		32		
Output type	Transistor (source) ^③					Relay	Transistor (source) ^③			
Switching voltage (max.)	5–30 V DC					≤240 V AC, ≤30 V DC	5–30 V DC			
Max. output current	- per output	A	0.1			2 A	0.1			
	- per group ^④	A	0.8 ^②			4	0.8 ^②			
Response time	ms	≤0.2				Approx. 10	≤0.2			
Mechanical data										
Weight	kg	0.15	0.1	0.15		0.2	0.1	0.15		
Dimensions (WxHxD)	mm	20.1x90x87	20.1x90x93.7	14.6x90x87	20.1x90x87	20.1x90x93.7	30.7x90x93.7	14.6x90x87	20.1x90x87	20.1x90x93.7
Order information	Art. no.	283534	315636	294583	283532	315552	413833	294585	283556	315554

① Current consumption when external power supply is used for the input circuit.

② 0.8 A per COM /+V terminal

③ Sink type transistor output units on request.

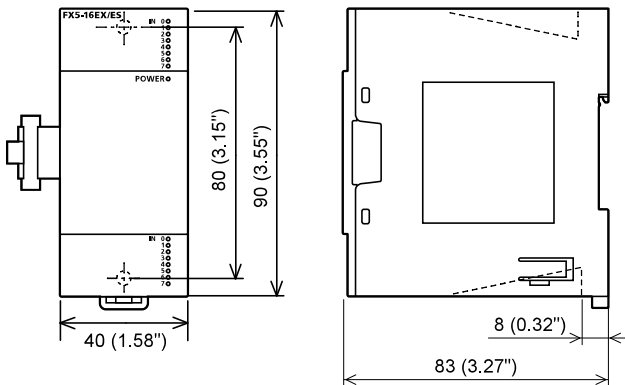
④ This limitation applies only per reference terminal for each group. Please observe the terminal assignments for the group identification.

* When connecting to FX5U CPU module, FX5-CNV-IF is required.

Extension units

Input module/output modules FX5 (extension cable type), high-speed pulse input/output modules

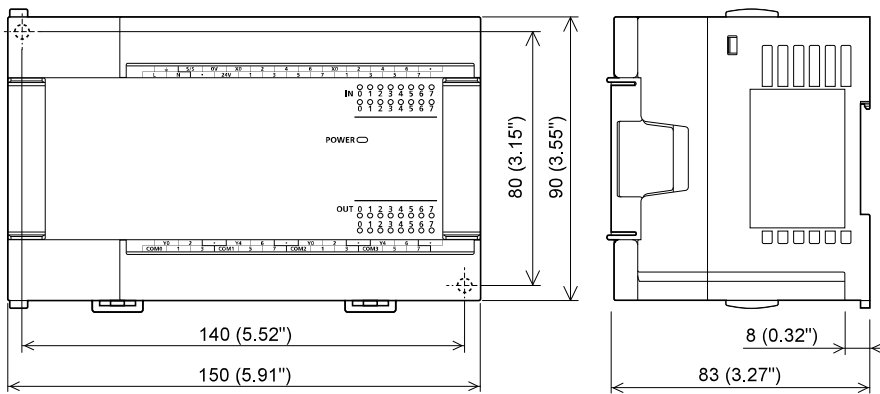
MELSEC-F series MELSEC iQ-F series



All dimensions in mm

Powered input/output modules FX5

MELSEC-F series MELSEC iQ-F series



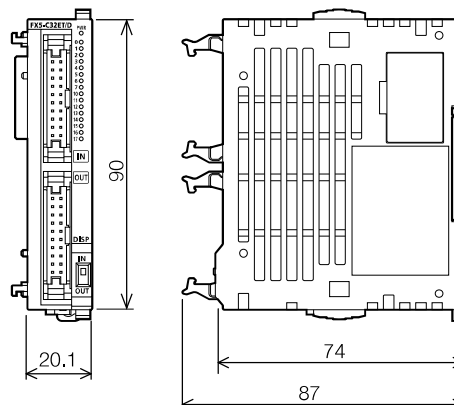
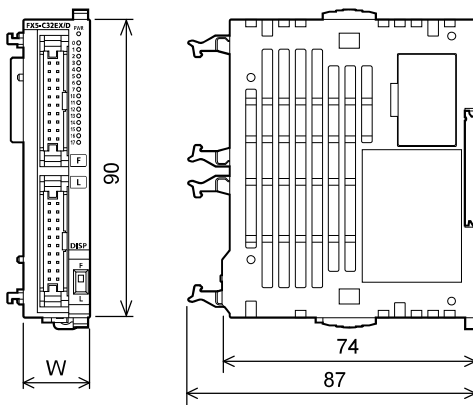
All dimensions in mm

Input/output modules FX5 (extension connector type)

MELSEC-F series MELSEC iQ-F series

FX5-C□EX/□, FX5-C□EYT/□

FX5-C32ET/D, FX5-C32ET/DSS



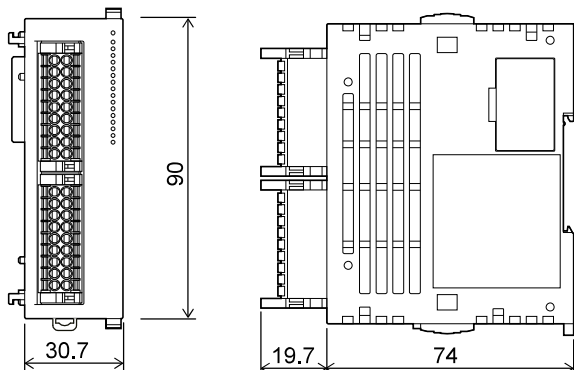
All dimensions in mm

Type	W
FX5-C16EX/D, FX5-C16EX/DS, FX5-C16EYT/D, FX5-C16EYT/DSS	14.6
FX5-C32EX/D, FX5-C32EX/DS, FX5-C32EYT/D, FX5-C32EYT/DSS	20.1

Input module/output module/I/O module (spring clamp terminal block type)

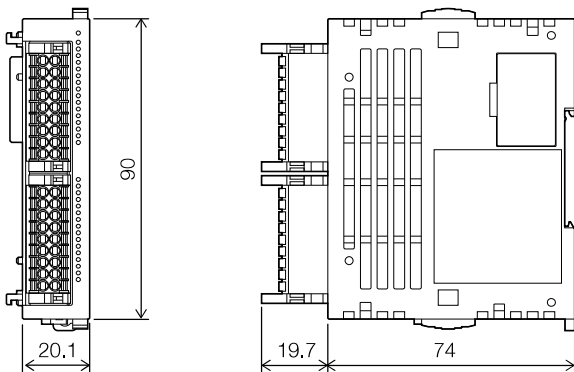
MELSEC-F series MELSEC iQ-F series

FX5-C16EYR/D-TS



Type	W
FX5-C16EYR/D-TS	30.7
FX5-C32ET/DSS-TS	20.1
FX5-C32EX/DS-TS	20.1
FX5-C32EYT/DSS-TS	20.1

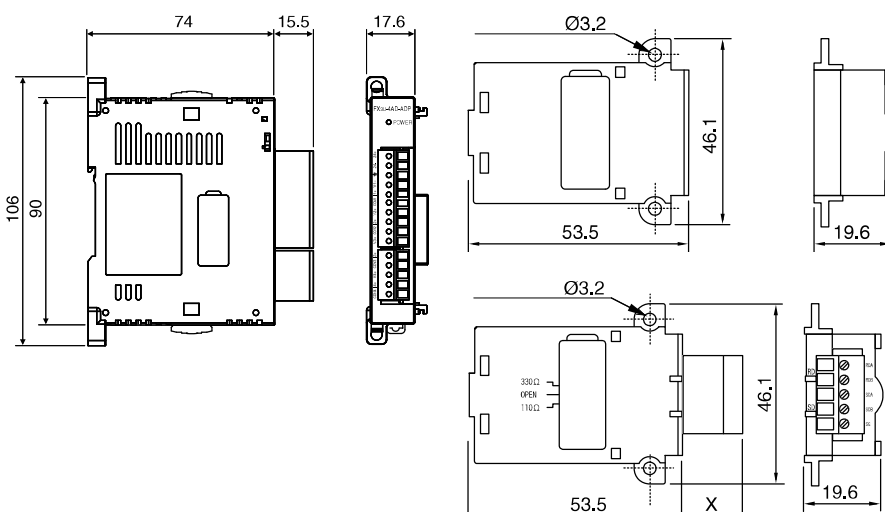
FX5-C32□/D(S(S))-TS



All dimensions in mm

Adapter modules and extension adapters FX3U

MELSEC-F series MELSEC iQ-F series



Type	X
FX3U-CNV	—
FX3U-USB	—
FX3U-485	15.5
FX3U-422	—
FX3U-232	9.2

All dimensions in mm