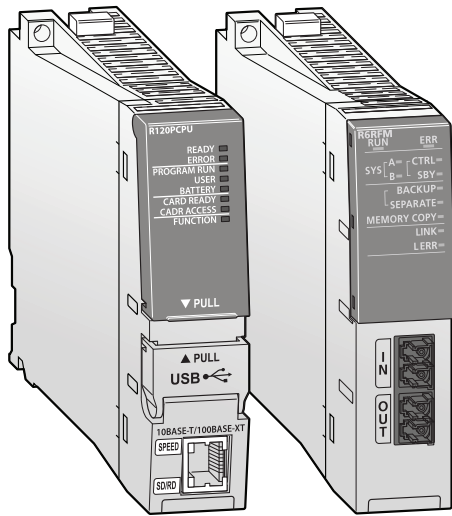


■ Process CPU modules and redundant function module



The MELSEC iQ-R process CPUs are designed specifically for medium- to large-scale process control systems requiring high-speed performance coupled with the handling of large PID loops.

When paired with a redundant function module, a highly reliable (redundant) control system can be realized with a tracking data capacity of up to 1 M words between the control and standby systems supported.

Special features:

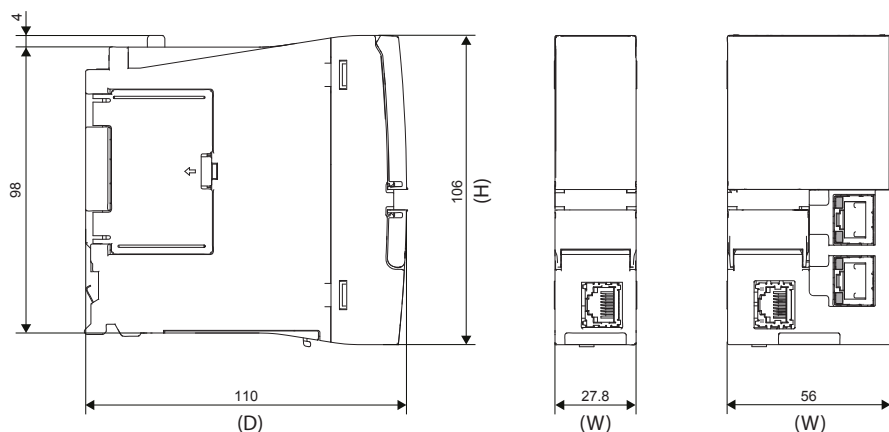
- High availability process control system
- Excellent scalability with four models available (between 80–1200 k steps memory)
- Extensive visualization and data acquisition with Mitsubishi SCADA MC Works64
- Redundancy across multiple levels reduces single-point failures
- GX Works3* integrated engineering software

Specifications	R08PCPU	R16PCPU	R32PCPU	R120PCPU
Type	Process CPU	Process CPU	Process CPU	Process CPU
I/O points	4096	4096	4096	4096
Multiple CPU system	Up to 4 CPU modules can be used in combination on one base unit.			
Battery buffer	All CPU modules are fitted with a lithium-battery with a life expectancy of 5 years.			
Memory type	RAM, ROM, SD memory card			
Memory capacity	5 MByte	10 MByte	20 MByte	40 MByte
for PLC program	80 k steps (320 kByte)	160 k steps (640 kByte)	320 k steps (1280 kByte)	1200 k steps (4800 kByte)
Instruction processing time	LD instruction	0.98	0.98	0.98
	MOV instruction	1.96	1.96	1.96
	PC MIX value ^①	419	419	419
Timer (T)	1024 (user-changeable)	1024 (user-changeable)	1024 (user-changeable)	1024 (user-changeable)
Counter (C)	512 (user-changeable)	512 (user-changeable)	512 (user-changeable)	512 (user-changeable)
Internal relay (M)	12288 (user-changeable)	12288 (user-changeable)	12288 (user-changeable)	12288 (user-changeable)
Data register/special register (D)	18432 (user-changeable)	18432 (user-changeable)	18432 (user-changeable)	18432 (user-changeable)
File register (R/ZR)	0 (user-changeable)	0 (user-changeable)	0 (user-changeable)	0 (user-changeable)
Interrupt pointer (I)	1024 (fixed)	1024 (fixed)	1024 (fixed)	1024 (fixed)
Pointer (P) (global/local) (default)	8192 (user-changeable, up to 24)	8192 (user-changeable, up to 24)	8192 (user-changeable, up to 24)	8192 (user-changeable, up to 24)
Annunciator (F)	2048 (user-changeable)	2048 (user-changeable)	2048 (user-changeable)	2048 (user-changeable)
Index register (Z)	20 (user-changeable, up to 24)	20 (user-changeable, up to 24)	20 (user-changeable, up to 24)	20 (user-changeable, up to 24)
Link relay (B)/link register (W)	8192 (user-changeable)	8192 (user-changeable)	8192 (user-changeable)	8192 (user-changeable)
Number of connectable extensions	7 (In a redundant system, no extension base units can be connected.)			
Max. number of insertable modules	Up to 64 (up to 11 in a redundant system)			
Internal power consumption (5 V DC)	0.76	0.76	0.76	0.76
Max. compensation time at power failure	The time differs depending on the power supply module used.			
Weight	0.20	0.20	0.20	0.20
Dimensions (WxHxD)	27.8x106x110	27.8x106x110	27.8x106x110	27.8x106x110
Order information	Art. no. 285496	285499	285500	285497

① Average number of instructions such as for basic instructions and data processing executed in 1 μs. The larger the value, the faster the processing speed.

Specifications	R6RFM
Type	Redundant process CPU
Occupied I/O points	32
Communication cable	Multi-mode optical cable
Max. distance	550 (when the core outer diameter is 50 μm)
Tracking cable data capacity (word)	1 M
Optical fiber specifications	Standard: IEEE802.3, IEC 60793-2-10 (Types A1a.1)
Connector specifications	Duplex LC connector
Laser class (IEC60825-1)	Class 1 laser product
Internal power consumption (5 V DC)	0.88
Weight	0.18
Dimensions (WxHxD)	27.8x106x110
Order information	Art. no. 301648

■ CPU modules

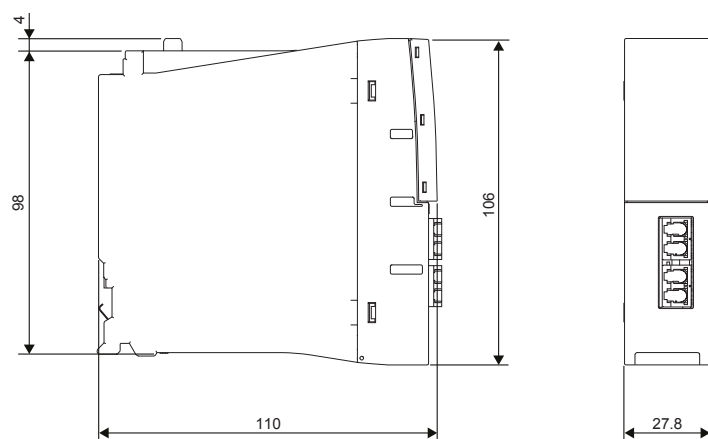


Type	W	H	D
R04CPU	27.8	106	110
R08CPU			
R16CPU			
R32CPU			
R120CPU	56	106	110
R04ENCPU			
R08ENCPU			
R16ENCPU			
R32ENCPU			
R120ENCPU			

Unit: mm

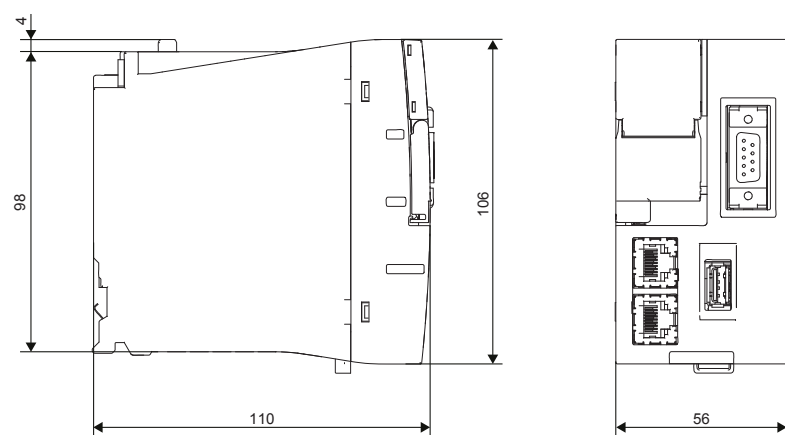
2
MELSEC iQ-R series

■ Process CPU modules and redundant function module



Unit: mm

■ C Controller CPU



Unit: mm