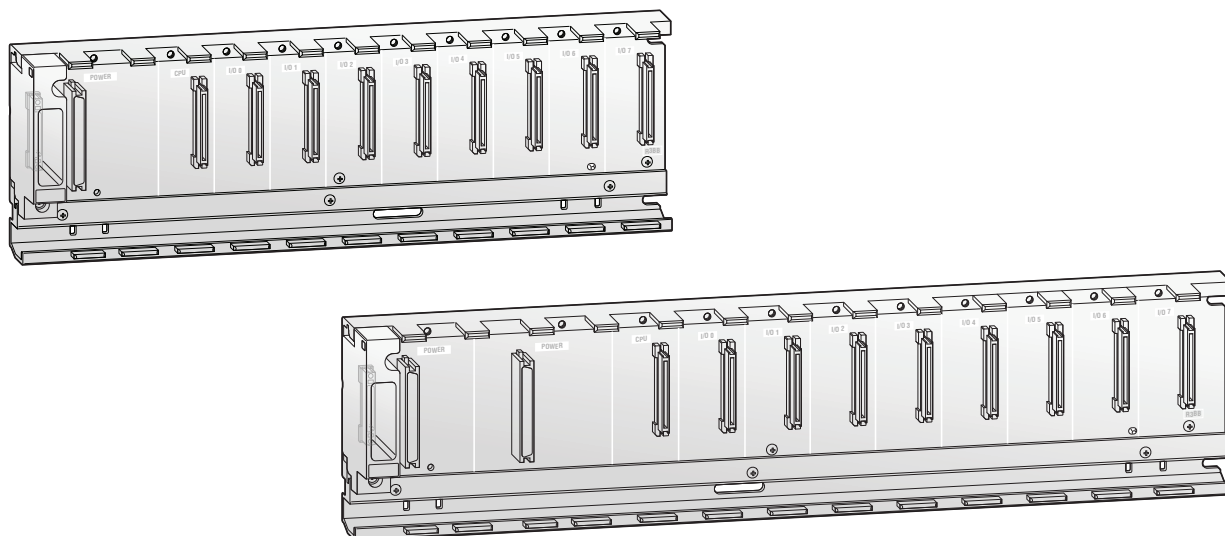


■ Base and extension base units



Main base units (Standard, extended temperature range)

The main base unit is used for mounting and connecting up to four CPUs, power supply unit, input modules, output modules and special function modules.

Special features:

- Enables the installation of redundant power supply modules (only “RB” models)
- Standard (0–55 °C) and extended temperature range models (0–60 °C) available
- Utilize standard MELSEC iQ-R series modules

Specifications	R35B	R38B	R310RB	R312B	R310B-HT	R38RB-HT	
Slots for I/O modules	5	8	10	12	10	8	
Slots for power supply modules	1	1	2	1	1	2	
Installation	All base units provide installation holes for M4 screws. Adapter for DIN rail mounting are available.						
Dimensions (WxHxD)	mm	245x101x32.5	328x101x32.5	439x101x32.5	439x101x32.5	439x101x32.5	
Order information	Art. no.	279583	279584	301652	279585	308780	301650

Extension base units (Standard, extended temperature range), RQ extension base unit

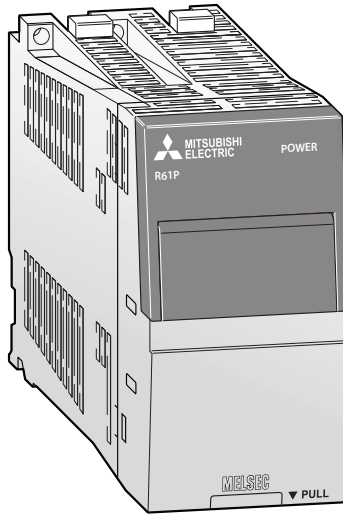
The extension base units are connected to the main base unit by means of preassembled bus cables. The RQ extension base units are for MELSEC System Q modules.

Special features:

- Enables the installation of redundant power supply modules (only “RB” models)
- Standard (0–55 °C) and extended temperature range models (0–60 °C) available
- Utilize standard MELSEC iQ-R series modules

Specifications	R65B	R68B	R610RB	R612B	RQ65B	RQ68B	RQ612B	R610B-HT	R68RB-HT	
Slots for I/O modules	5	8	10	12	5	8	12	10	8	
Slots for power supply modules	1	1	2	1	1	1	1	1	2	
Installation	All base units provide installation holes for M4 screws. Adapter for DIN rail mounting are available.									
Dimensions (WxHxD)	mm	245x101x32	328x101x32.5	439x101x32.5	439x101x32.5	245x98x44.1	328x98x44.1	439x98x44.1	439x101x32.5	439x101x32.5
Order information	Art. no.	279590	279589	301653	279588	279591	279586	279587	308782	301651

Power supply modules



Standard and redundant power supply modules

These units power all the modules mounted to a base unit. The choice is dependent on the power consumption of the individual modules (this is especially important when using multiple CPUs) and the available input power supply voltage.

Special features:

Standard module:

- Wide AC input voltage range
- The power supply R62P has an additional 24 V DC output for external devices.
- Contact output turns off in case of an error.

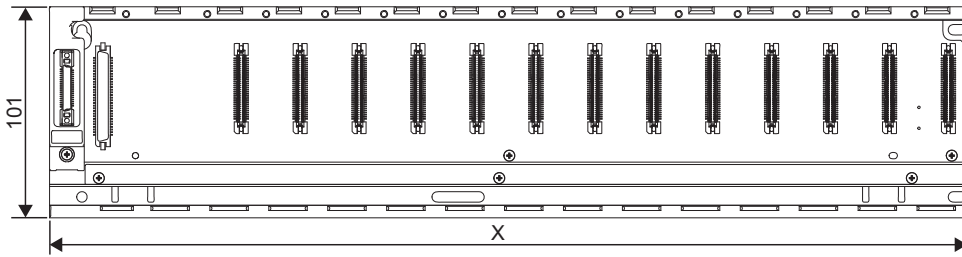
Redundant module:

- Two redundant power supplies on a redundant base unit are required for a redundant power supply configuration.
- Same size as standard power supply module
- Able to replace while on-line (hot-swap)
- Enables installation of up to two modules simultaneously on the same base unit

Specifications		R61P	R62P	R63P	R63RP	R64P*	R64RP
Input voltage	(+10 %, -15 %) V AC	100–240 (85–264)	100–240 (85–264)	—	—	100–240 (85–264)	100–240 (85–264)
	(+30 %, -35 %) V DC	—	—	24 (15.6–31.2)	24 (19.2–31.2)	—	—
Input frequency	Hz	50/60 (±5 %)	50/60 (±5 %)	—	—	50/60 (±5 %)	50/60 (±5 %)
Inrush current		20 A within 8 ms	20 A within 8 ms	100 A within 1 ms	100 A within 1 ms	20 A within 8 ms	20 A within 8 ms
Max. input apparent power	VA	130	120	—	—	160	160
Max. input power	W	—	—	50	50	—	50
Rated output current	5 V DC	A 6.5	A 3.5	A 6.5	A 6.5	A 9	A 9
	24 V DC ±10 %	A —	A 0.6	A —	A —	A —	A —
Overcurrent protection	5 V DC	A ≥7.1	A ≥3.8	A ≥7.1	A ≥7.1	A ≥10.0	A ≥10.0
	24 V DC	A —	A ≥0.66	A —	A —	A —	A —
Overvoltage protection	5 V DC	V 5.5–6.6	V 5.5–6.6	V 5.5–6.6	V —	V 5.5–6.6	V —
Efficiency		≥76 %	≥76 %	≥70 %	≥70 %	≥76 %	≥76 %
Insulation withstand voltage		2830 V AC, 1 min.	2830 V AC, 1 min.	510 V AC, 1 min.	510 V AC, 1 min.	2830 V AC, 1 min.	2830 V AC, 1 min.
Max. compensation time at power failure	ms	20	20	10	10	20	20
Power indicator		All modules possess a power LED display.					
Terminal screw size		M4 (M3.5 for +24V and 24G terminals of the R62P)					
Applicable wire size	mm ²	0.75–2	0.75–2	0.75–2	0.75–2	0.75–2	0.75–2
Weight	kg	0.41	0.45	0.41	0.41	0.46	0.46
Dimensions (WxHxD)	mm	54.6x106x110	54.6x106x110	54.6x106x110	54.6x106x110	54.6x106x11	54.6x106x110
Order information	Art. no.	279581	285507	279582	308710	285508	301649

* Redundant power supply

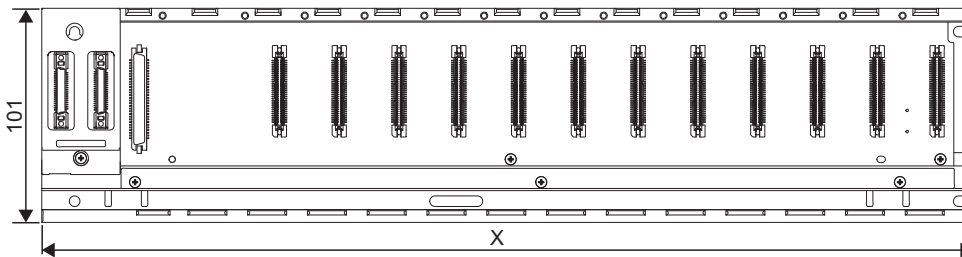
■ Base units



Type	X (in mm)
R35B	245
R38B	328
R38RB-HT	439
R310RB, R310B-HT	439
R312B	439

Unit: mm

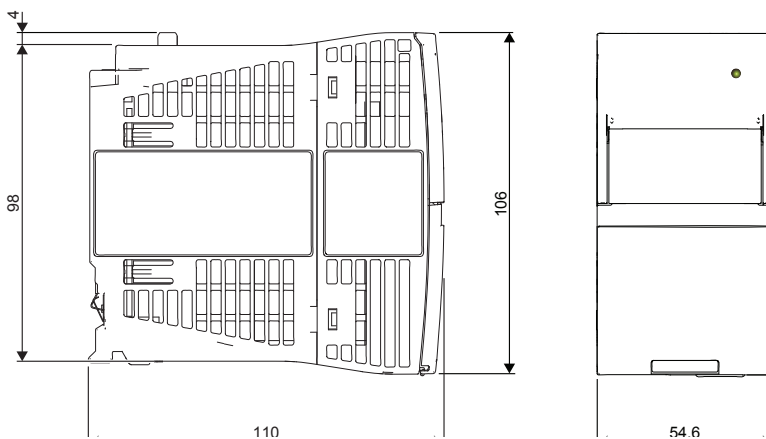
■ Extension base units



Type	X (in mm)
R65B, RQ65B	245
R68B, RQ68B	328
R68RB-HT	439
R610RB, R610B-HT	439
R612B, RQ612B	439

Unit: mm

■ Power supply



Unit: mm