

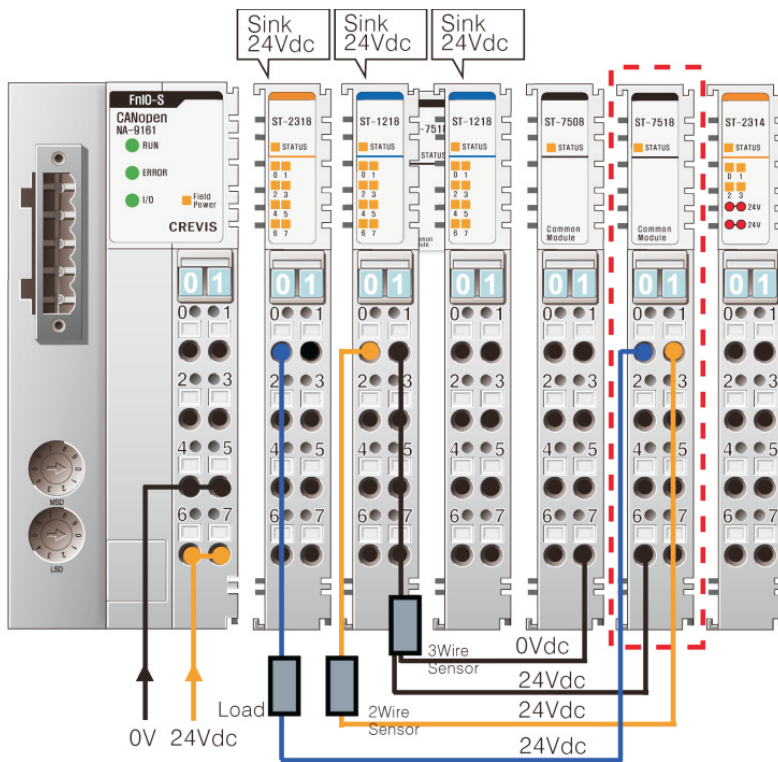
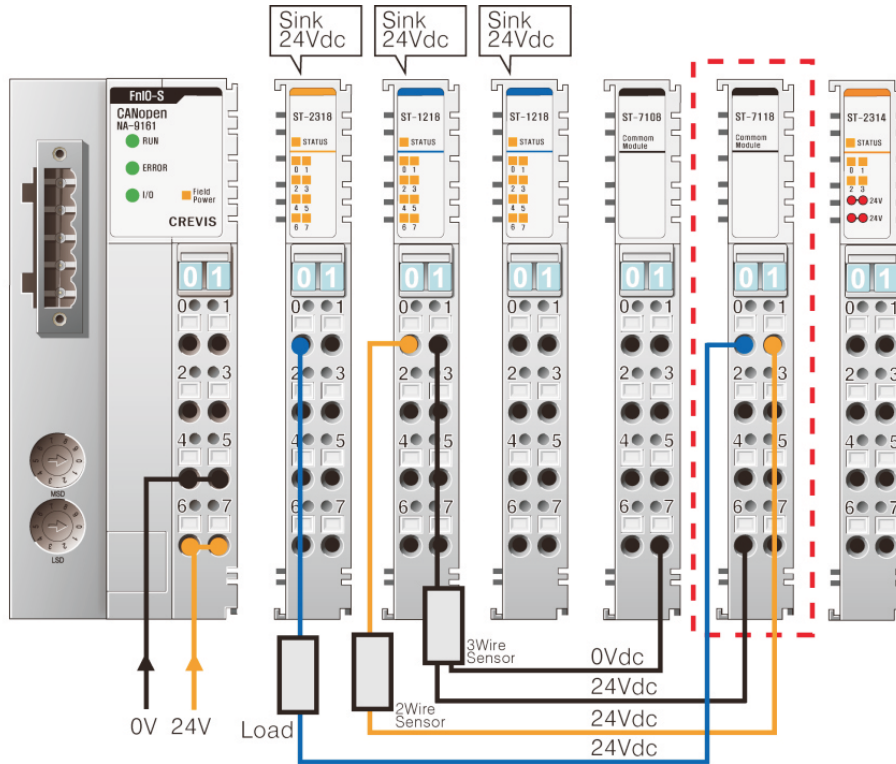


# Power Module

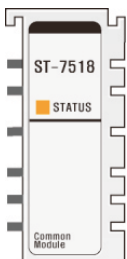
## Example :

The ST-7118, ST-7518 provides 24Vdc of power.

If you have a setup where an external device near the FnIO module needs 24Vdc of power, you can simply use the ST-7118, ST-7518 as a common module.



## Status LED



Status	STATUS LED is	Indicates
Not Power	OFF	Device has no expansion Module or May Not is Power.
No Initialized		The Parameter is not initialized yet
Fn-Bus Connection	Green	Fn-Bus Normal Operation
Fn-Bus Ready	Flashing Green	Fn-Bus Ready
Fn-Bus Fault	Flashing Red	Fn-Bus failed Communication
Device Fault	Red	Device Fault