

Q30 Series

Ø30mm panel mount LED indicators



DISTINCTIVE FEATURES

- 23.2mm coloured Fresnel lens
- 200 mm long wire terminations
- Rear epoxy sealed



ENVIRONMENTAL SPECIFICATIONS

- Above panel sealing tested to IP67 & IP69K
- Operating & Storage Temperature Range:
 Operating temperature: -40 °C to +85 °C (-40 °F to +185 °F)
 Storage temperature: -40 °C to +100 °C (-40 °F to +212 °F)



GENERAL SPECIFICATIONS

- Operating voltage: 12 to 24Vac/dc
- Current consumption: 30 mA (nominal across operating voltage range)
- Reverse voltage protection: the indicator has no polarity
- Over-voltage protection: activates at 36 V
- Viewing Angle: 60°
- Life Expectancy: 100,000 hours
- Maximum panel thickness: 9 mm
- Insulation resistance : 4,000 MΩ at 500 VDC



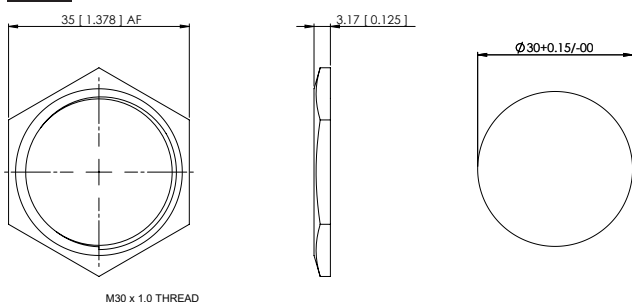
MATERIALS

- Stainless steel 316L body, PC lens, Nitrile o-ring



MOUNTING

- Mounting torque: 75cNm/0.75Nm



Q30 series

Ø30 mm panel mount LED indicators



ELECTRICAL SPECIFICATIONS

STANDARD LED INTENSITY

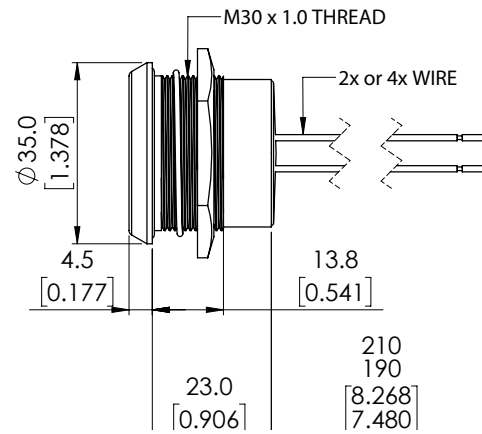
LED COMPONENT SPECIFICATIONS		
	Typical intensity (mcd)	Forward Voltage (Vac/dc)
Red	4000 mcd	7.5
Green	5200 mcd	7.5
Yellow	3800 mcd	7.5
Blue	1300 mcd	7.5
White	5200 mcd	7.5
RGB	Red	530 mcd
	Green	1200 mcd
	Blue	280 mcd

ADDITIONAL INFORMATION ON LED COMPONENTS

- The operating voltage must not be exceeded by more than 20% as this will result in reduced life expectancy.
- Luminous intensity is measured at 30mA unless otherwise stated.
- Recommended usage:
 - Standard: Homogenous light output that is good for indoor applications.
 - Hyper Bright: Homogenous light output that is good for outside viewing and is daylight visible.
 - Super Bright: A water clear LED that is good for long distance viewing and is daylight visible.



CONNECTIONS

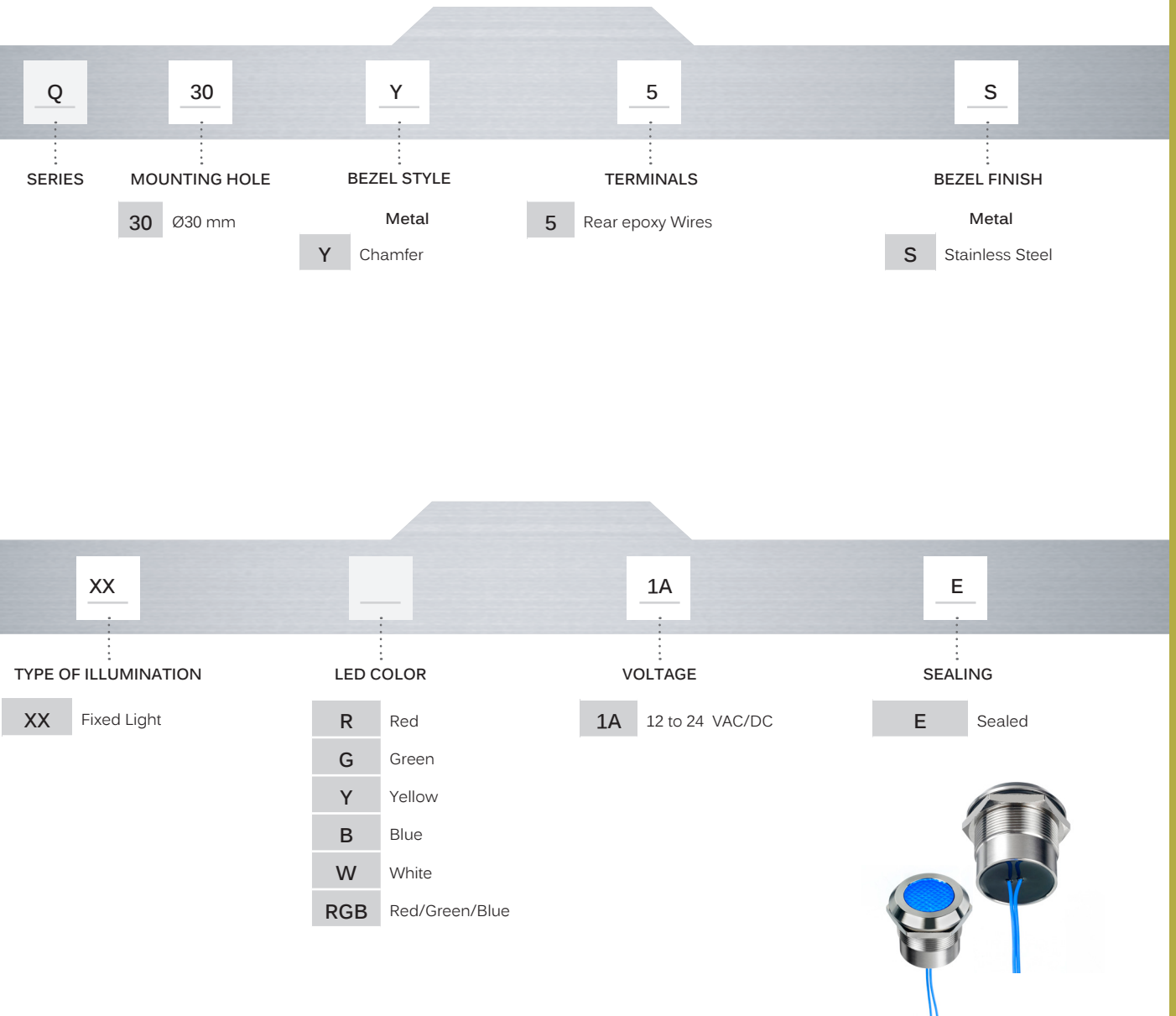


Q30 series

Ø30 mm panel mount LED indicators



BUILD YOUR PART NUMBER



ABOUT THIS SERIES

• Standard and Bi-Colour are provided in Standard wire length is 200mm, 24AWG UL1061, Red wire denotes anode (+), Black wire denotes cathode (-) for other lengths consult APEM.