

Air cooling jacket for Dimetix D-Series Sensors

500310 Air cooling jacket for D-Series Standard
500311 Air cooling jacket D-Series indust. Ethernet

Manual

V 1.0

20. Jul. 2021



Table of content

1 General Information.....	3
2 Specification.....	3
3 Assembly.....	3
3.1) Assembly of the air cooling jacket for D-Series standard.....	3
3.2) Assembly of the air cooling jacket for Industrial Ethernet interfaces.....	5
4 Base Alignment.....	8
5 Mounting air line.....	9
5.1) LED Status.....	9
6 Pictures.....	10
7 Air Cooling Jacket Structure.....	11
7.1) Air Cooling.....	12
8 Drawings.....	13
8.1) Drawing of 500310 cooling jacket for D-Series standard.....	13
8.2) Drawing of 500311 cooling jacket for industrial Ethernet interfaces.....	14



1 General Information

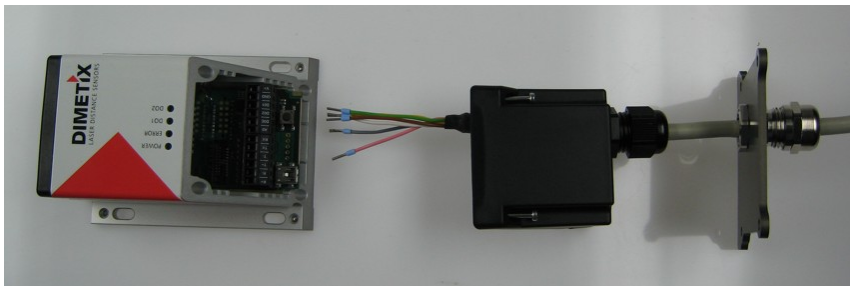
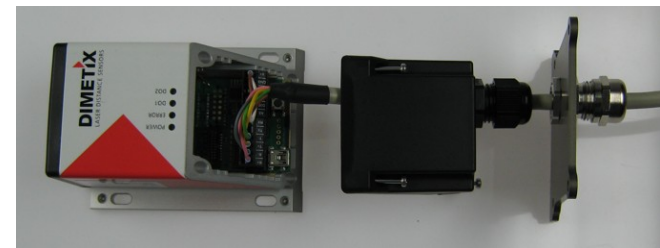
- **500310 Air cooling jacket for D-Series Standard:** This air cooling jacket can be used with all Dimetix D-Series Laser Sensors that are equipped with standard interfaces.
- **500311 Air cooling jacket D-Series Indust. Ethernet:** This Air Cooling Jacket can be used with all sensors that are equipped with the sensor extensions PROFINET, Ethernet/IP and EtherCAT.

2 Specification

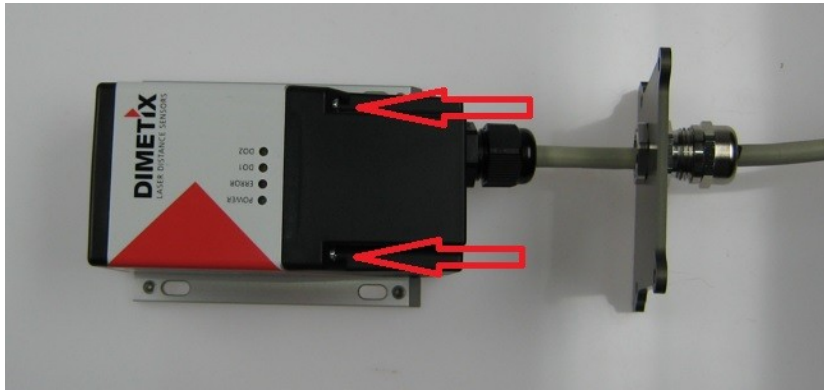
Outer Tube diameter:	8mm
Air nipple size:	PT 1/8"
Cable gland:	M16 – standard interface M32 – Industrial Ethernet interface
Mounting:	Mounting slots for M5 / M4 screws
Size:	width: 85mm x length: 290mm x height: 151mm
Weight approx.:	1.405kg
Material:	Housing body: Aluminum Hard anodizing
Not included:	The D-Series Laser Sensor, Air-cleaner, Air-dryer, Air-filter, Pressure reduction, air regulator, and cables are not included

3 Assembly

3.1) Assembly of the air cooling jacket for D-Series standard

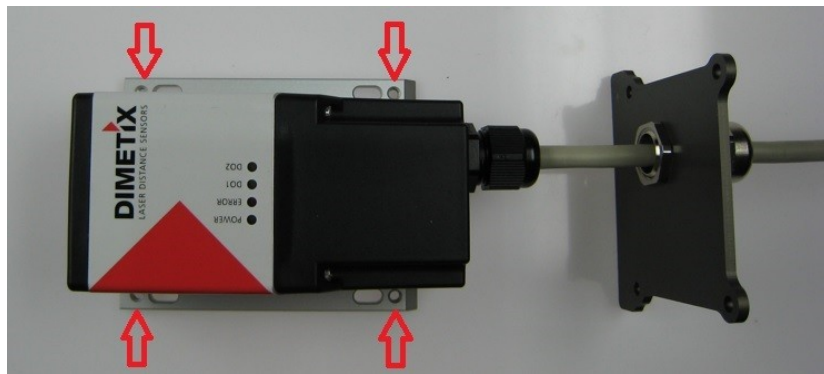
	<p>First insert the cables into the cable gland of the jacket. Then insert them into that of the laser sensor before you assemble the laser sensor to the air cooling jacket (cable diameter : 5~10 mm).</p>
	<p>The Laser sensor's cable gland can be used in a narrow space of the jacket as the inserted cable gland of the laser sensor and the jacket is designed to be aligned.</p>





Then close the sensor's rear cover after wiring to the laser sensor's terminal board.

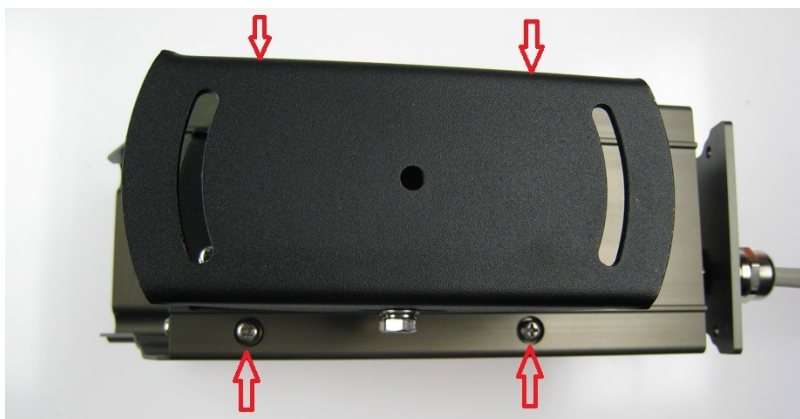
Tighten the black cable gland



Remove the four hexagonal socket set screws. You need these tapped holes to mount the sensor into the jacket.




Slide the sensor into the air jacket.



Set the four screws and attach the sensor to the housing. The screws are automatically provided.

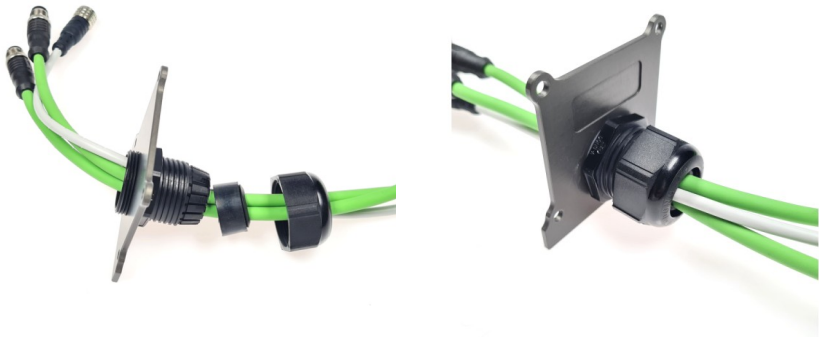





	<p>When you close the rear cover of the air cooling jacket, installation is easier without bending the cable inside the enclosure.</p> <p>Set the four screws and attach the rear cover.</p> <p>Finally, tighten the metallic cable gland.</p>
--	--


3.2) Assembly of the air cooling jacket for Industrial Ethernet interfaces

	<p>First cut a hole in the rubber seal which you find in the cable gland.</p>
	<p>Insert the cables into the cable gland, then insert them into the rubber seal.</p>



	<p>Insert the cables into the cable gland of the rear cover. Then push the rubber seal into the cable gland.</p>
	<p>Remove the four hexagonal socket set screws. You may need these tapped holes to mount the sensor into the air cooling jacket.</p>
	<p>Connect the cables for Power and Ethernet interface to the rear cover.</p>
	<p>Slide the wired sensor into the air cooling jacket.</p>



	<p>Fasten the cable gland after adjusting an appropriate cable length to be inserted.</p> <p>Close the rear cover of the jacket and fasten the four screws. (M4 x 50)</p>
	<p>To fix the device in the case you have 2 options.</p> <p>Option 1: Set the four screws and attach the sensor to the housing.</p> <p>Option 2: Fix the sensor after tightening the screws on both sides of the jacket.</p>

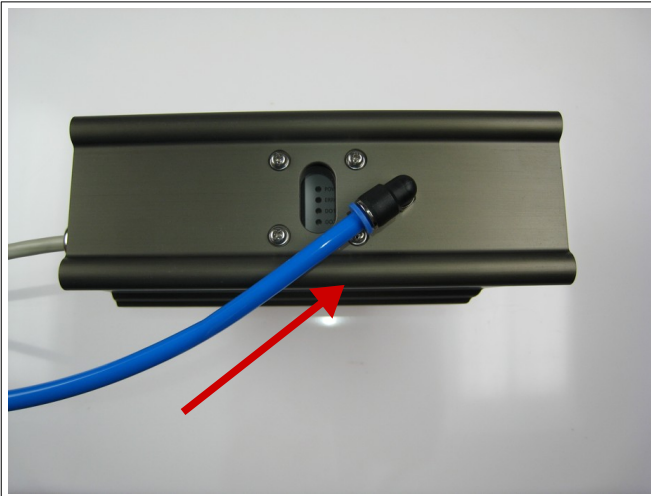


4 Base Alignment

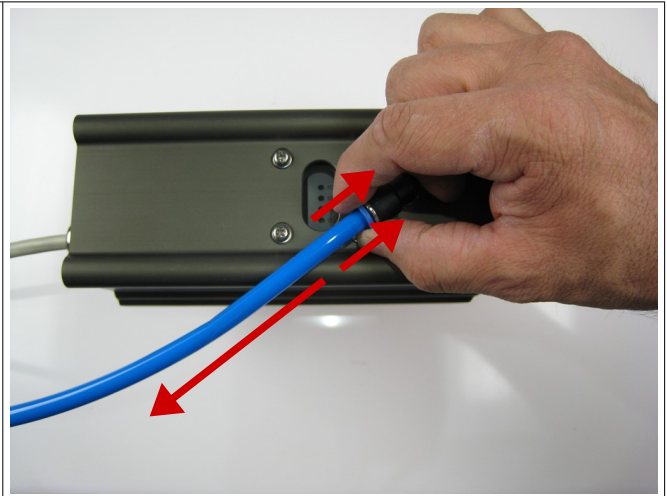
	<p>The tilting can be adjusted with the four screws on the two sides of the air cooling jacket.</p> <p>We recommend manually supporting the housing for alignment to prevent damaging the product because the housing's center of gravity is lurched forward.</p>
	<p>The rotation can be adjusted with the main fixing screws.</p>



5 Mounting air line



Connect the 8mm tube into the quick coupling.



Remove the tube from quick coupling.

5.1) LED Status



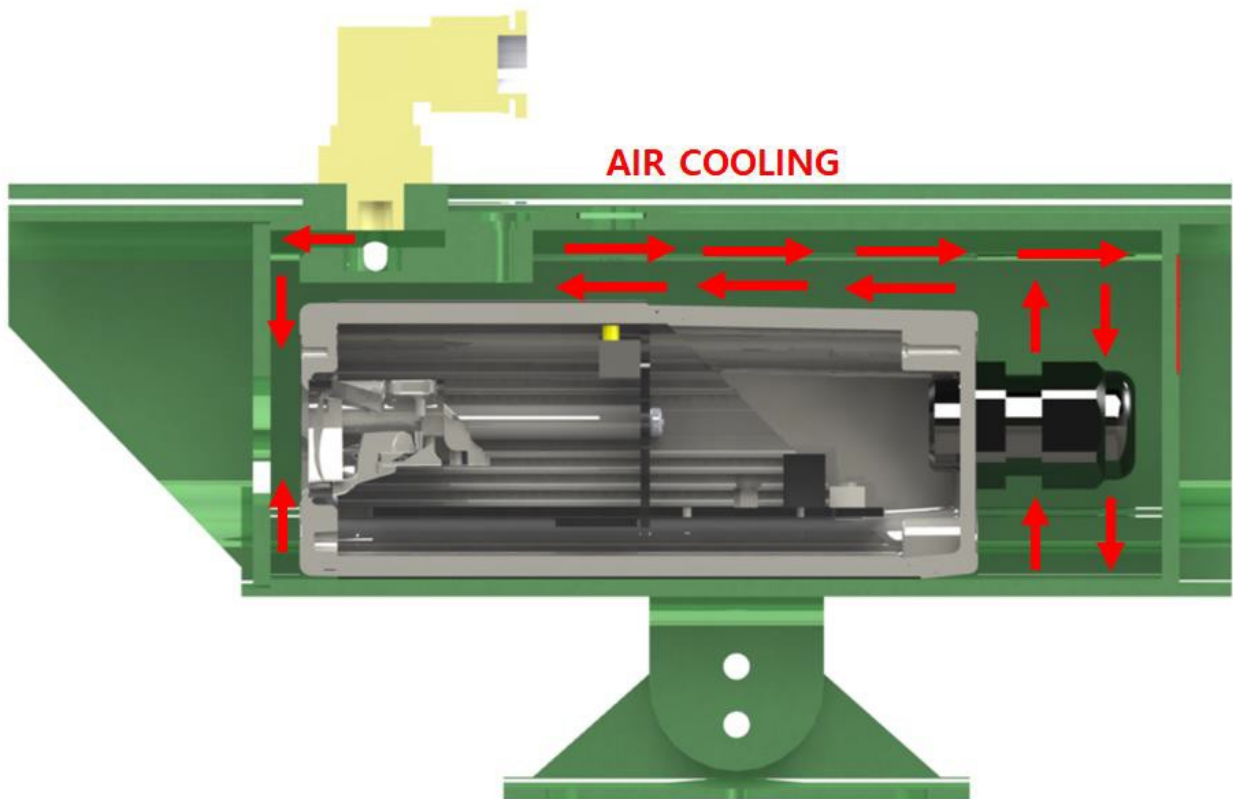
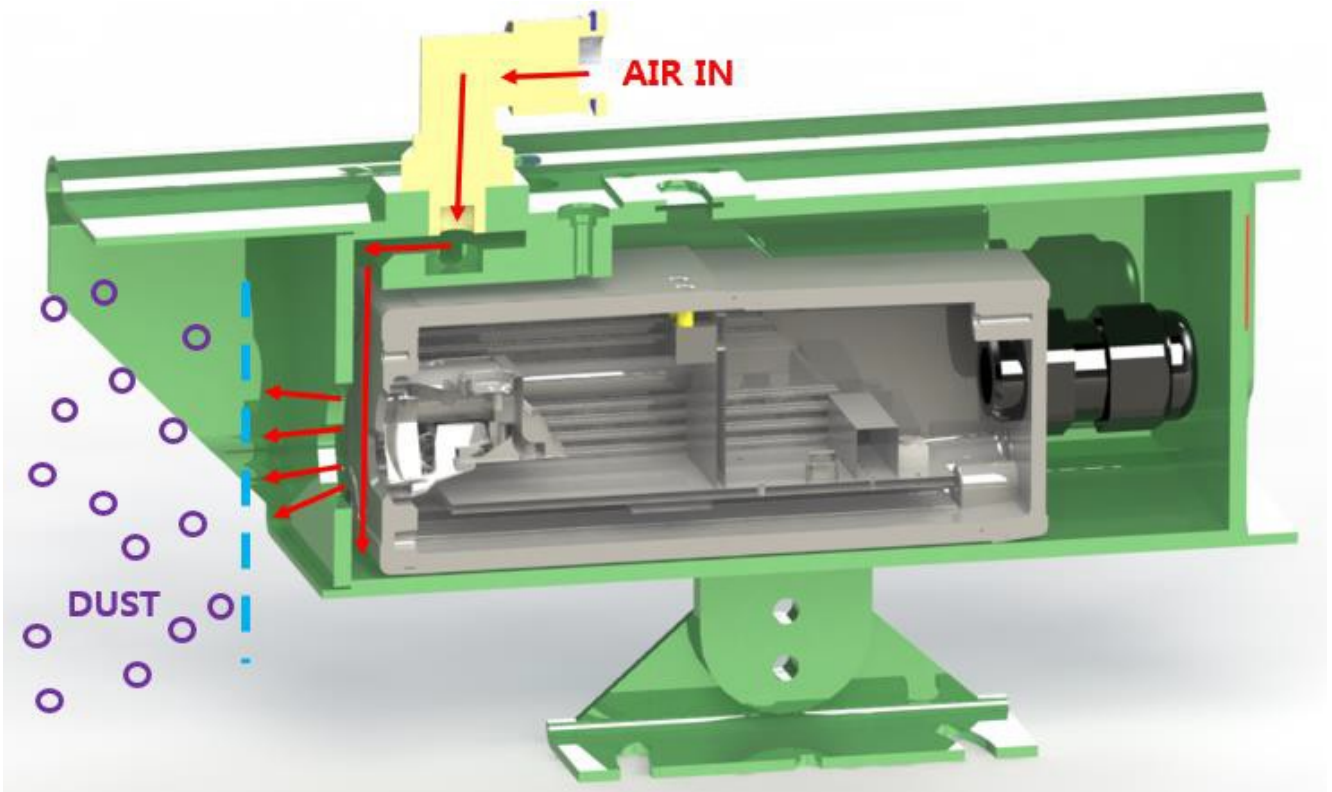
The user can see the sensor's operating status through the clear glasses on the housing top without pulling the laser sensor out. This makes it convenient to do maintenance or monitoring device on site.



6 Pictures

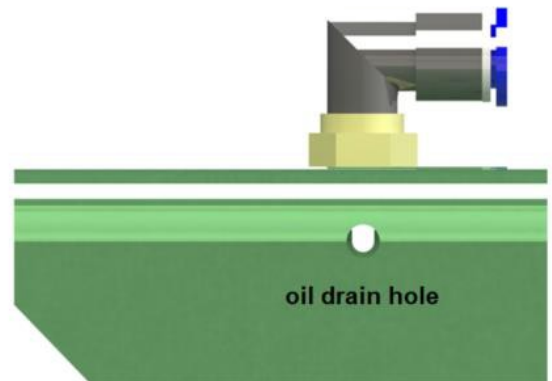
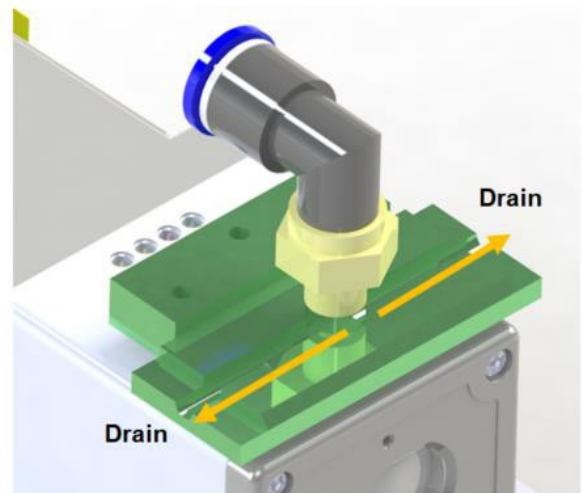
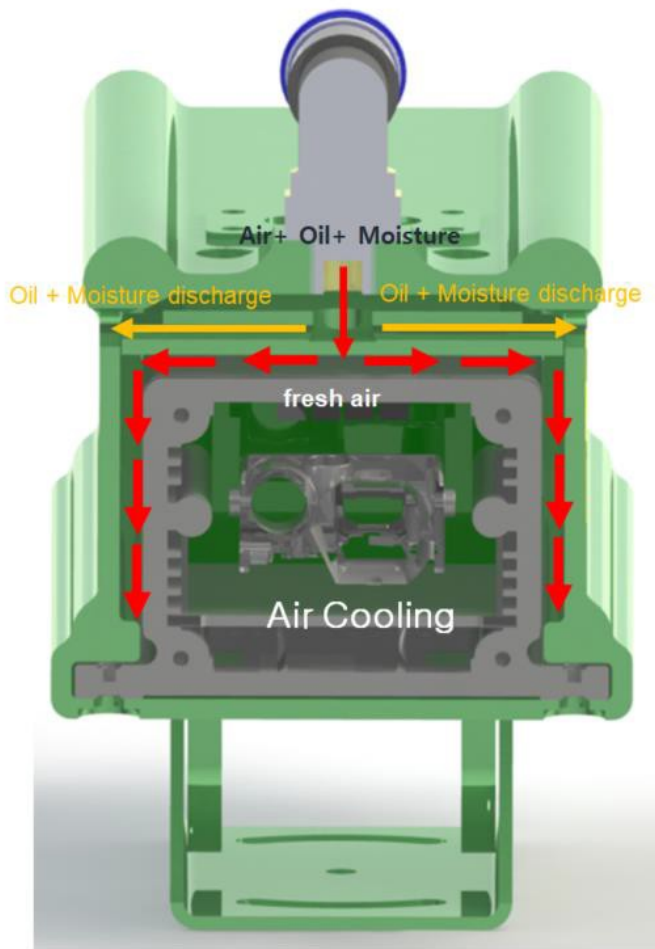


7 Air Cooling Jacket Structure



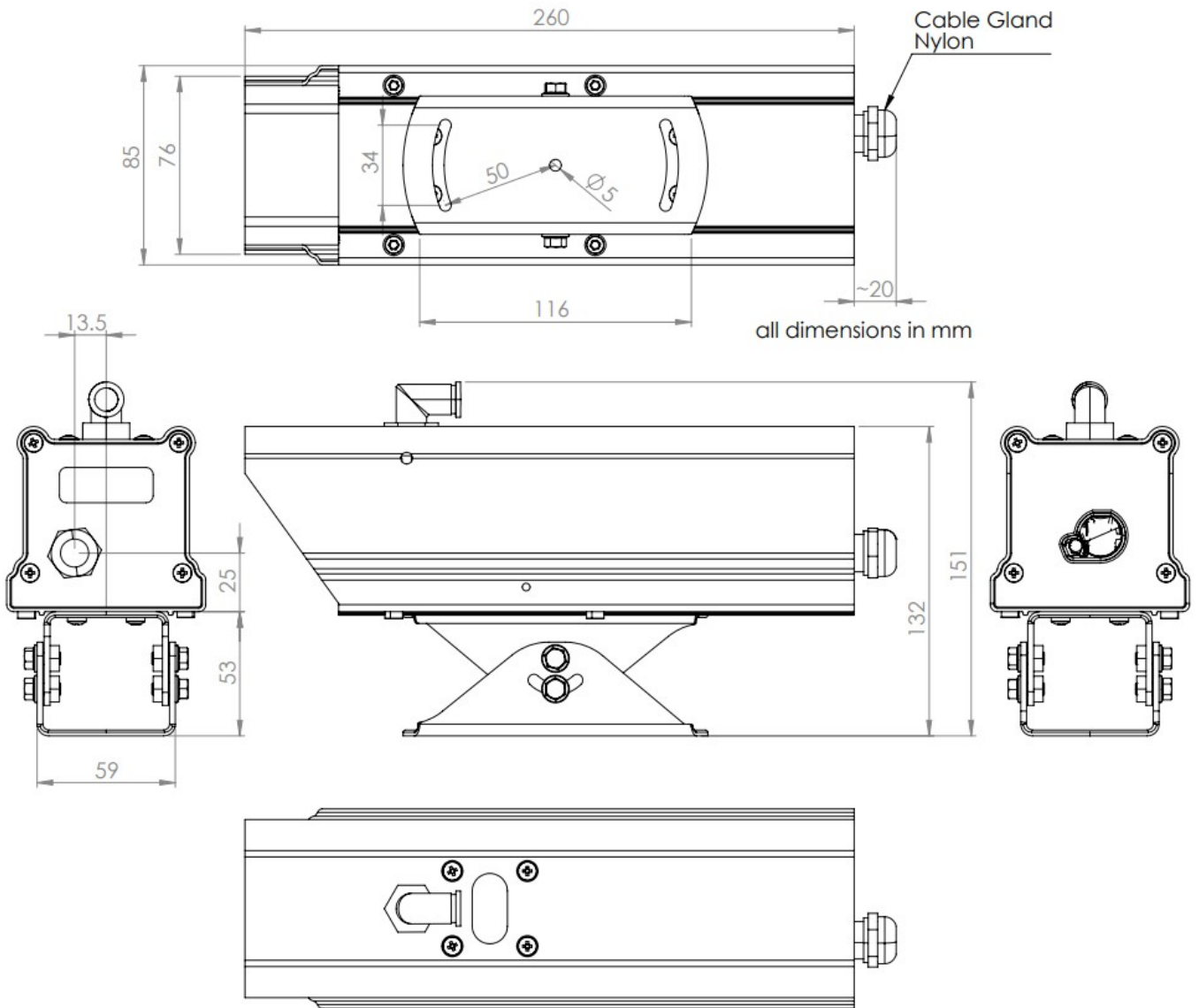
7.1) Air Cooling

Generally, the provided air must be clean, oil- and moisture free. Please use all the necessary equipment. The air guide block has a jaw trough which oil and moisture are discharged through drainage channels. Only fresh air is left inside the housing, thus it performs both cooling and air purging functions.



8 Drawings

8.1) Drawing of 500310 cooling jacket for D-Series standard



8.2) Drawing of 500311 cooling jacket for industrial Ethernet interfaces

